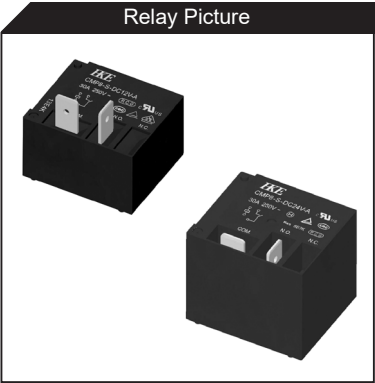




Features	
■	High contact capacity, up to 30A/250VAC
■	Dielectric strength of 2500V between coil and contacts
■	Available in both PCB and quick connect terminals
■	Exposed or concealed quick connect terminals
■	Applications: industrial and home appliances, HVAC, etc
Safety Approval	
	US NO.E164730
	NO.CQC080002027613
	NO.50125643
	NO.40009646



ORDERING INFORMATION

CMP8 - **S** - **DC12V** - **A**

Model	Enclosure	Coil Voltage	Contact Form
	S - Plastic Sealed Type	DC5V, DC6V, DC9V, DC12V, DC24V, DC48V	A - 1 Form A C - 1 Form C AT - 1 Form A(Different quick connect terminals configuration)

SPECIFICATION

CONTACT DATA

Contact Form	1 Form A, 1 Form C	
Contact Material	Ag Alloy	
Contact Rating	A: 30A 250VAC/24VDC C: NO: 20A 250VAC/24VDC NC: 15A 250VAC/24VDC	
Contact Resistance	Max. 100mΩ(6VDC 1A)	
Load	Max. Switching Voltage	250VAC/28VDC
	Max. Switching Current	30A
	Max. Switching Power	7,500VA, 560W
	Min. Switching Load	5VDC, 100mA
Life	Electrical	100,000 operations
	Mechanical	10,000,000 operations

COIL DATA

Nominal Coil Power	900mW
--------------------	-------

GENERAL DATA

Insulation Resistance	Min. 1000MΩ 500VDC	
Dielectric Strength	Between open contacts	1,500VAC, 1min
	Between coil and contacts	2,500VAC, 1min
Operate Time	Max. 15ms	
Release Time	Max. 10ms	
Operating Temperature	-40°C to +85°C	
Humidity	35~95%RH, +40°C	
Shock Resistance	Endurance	1,000m/s ²
	Misoperation	100m/s ²
Vibration Resistance	Endurance	10~55Hz, 1.5mm double amplitude
	Misoperation	10~55Hz, 1.5mm double amplitude
Weight	Approximately 29.0g	
	Approximately 31.0g(Concealed terminals)	

Note:Data shown are of initial value

CMP8

POWER RELAY

SAFETY APPROVAL

File Number	Contact Form	Power Consumption	Coil Voltage	Contact Rating	Remarks
TUV 50125643-0001	AT	0.9W	5-48VDC	30A 250VAC	Ambient Temperature: 85°C
TUV 50125643	A	0.9W	5-48VDC	30A 250VAC	Ambient Temperature: 85°C
	C	0.9W	5-48VDC	NO/NC:20A/15A 250VAC	
TUV 50125643-0002 (EN 60730-1)	A/AT	0.9W	5-48VDC	30(8)A 250VAC	Ambient Temperature: 85°C
	C	0.9W	5-48VDC	NO/NC:20(4)A/15(3)A 250VAC	
VDE 40009646	A	0.9W	5-48VDC	30A 250VAC	Ambient Temperature: 70°C
	C	0.9W	5-48VDC	NO: 20A 250VAC NC: 15A 250VAC/24VDC	
	AT	0.9W	5-48VDC	30A 250VAC	
UL E164730	A	0.9W	5-48VDC	30A 250VAC	Insulation class: F Ambient Temperature: 85°C
	C	0.9W	5-48VDC	NO/NC:20A/15A 250VAC	
	AT	0.9W	5-48VDC	30A 250VAC	Ambient Temperature: 55°C
	C	0.9W	5-48VDC	NO:2HP 240VAC NC:1HP 240VAC	Ambient Temperature: 85°C
				NO:3/4HP 120VAC NC: 1/4HP 120VAC	Ambient Temperature: 85°C NLDX category
	A	0.9W	5-48VDC	2HP 240VAC	Ambient Temperature: 85°C NLDX category
3/4HP 120VAC					
CQC08002027613 (GB/T 21711.1-2008)	A	0.9W	5-48VDC	30A 250VAC	Ambient Temperature: 85°C
	C	0.9W	5-48VDC	NO/NC:20/15A 250VAC	

Specifications subject to change without notice

COIL DATA

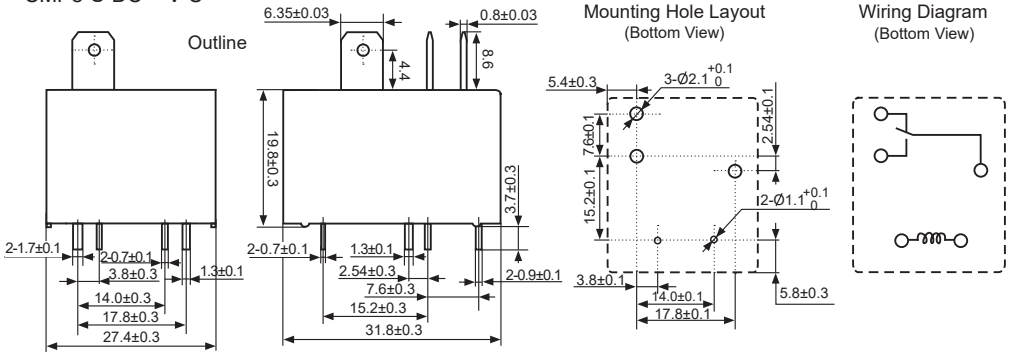
Ambient Temperature: 23°C

Model	Nominal Voltage VDC	Coil Resistance Ω ±10%	Operate Voltage \leq VDC	Release Voltage \geq VDC	Coil Power mW
CMP8-S-DC5V	5	27.8	3.5	0.5	900
CMP8-S-DC6V	6	40.0	4.2	0.6	
CMP8-S-DC9V	9	90.0	6.3	0.9	
CMP8-S-DC12V	12	160	8.4	1.2	
CMP8-S-DC24V	24	640	16.8	2.4	
CMP8-S-DC48V	48	2560	33.6	4.8	

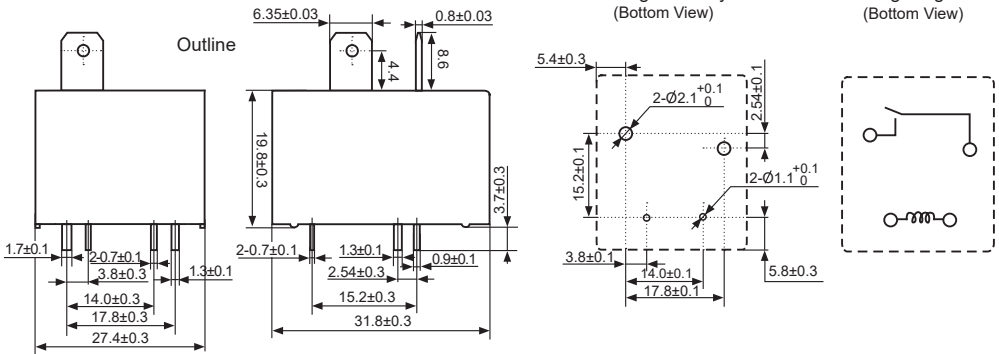
ISO9001、IATF16949、ISO14001 Approved

OUTLINE, WIRING DIAGRAM, MOUNTING HOLE LAYOUT (UNIT: mm)

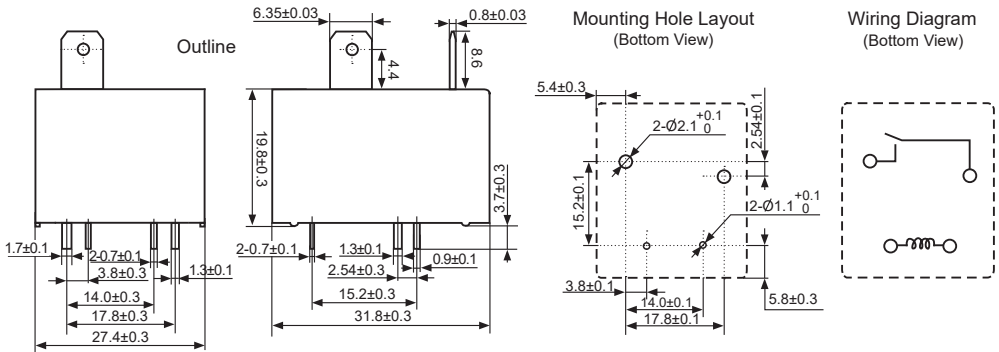
CMP8-S-DC××V-C



CMP8-S-DC××-A



CMP8-S-DC××-AT

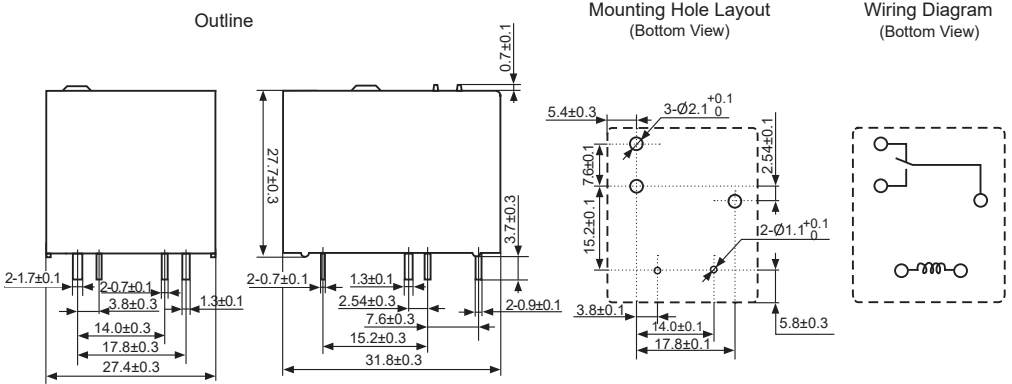


CMP8

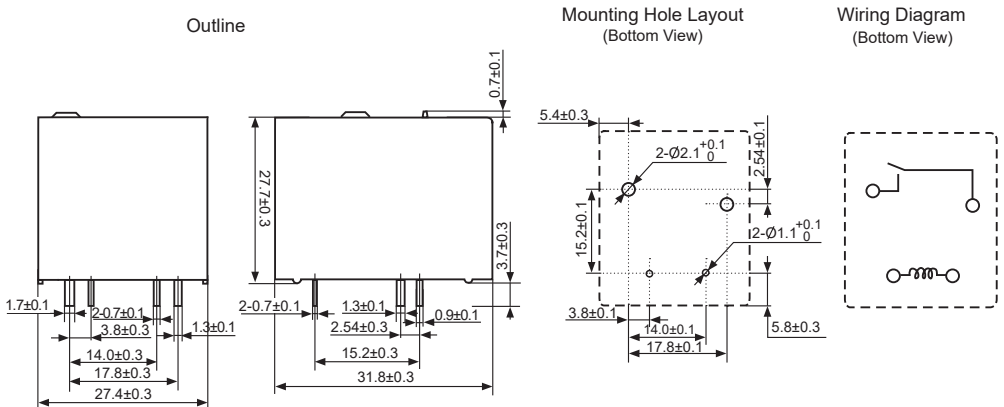
POWER RELAY

OUTLINE, WIRING DIAGRAM, MOUNTING HOLE LAYOUT (UNIT: mm)

CMP8-S-DC××-C - Concealed terminals



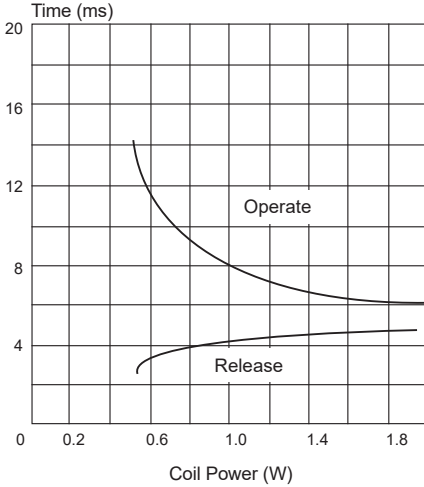
CMP8-S-DC××-A - Concealed terminals



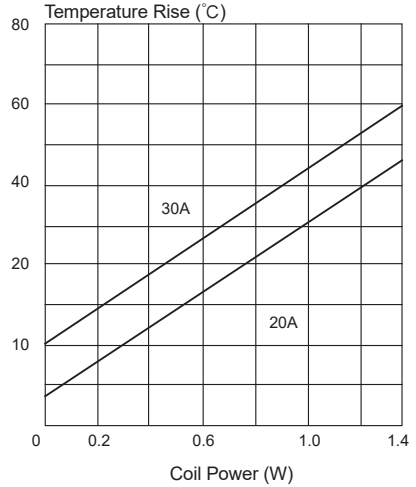
ISO9001、IATF16949、ISO14001 Approved

REFERENCE DATA

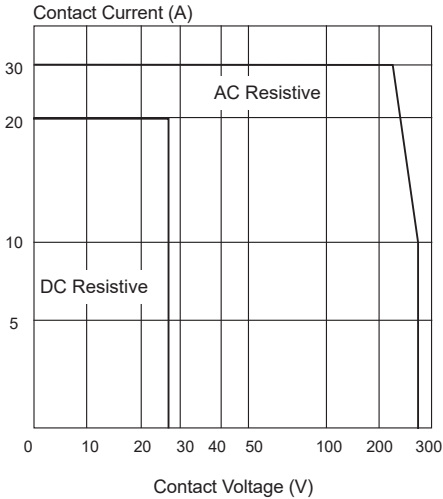
Time Curve



Coil Temperature Rise



Maximum Switching Power



Life Curves

